

Continuous 2-inch Water-Cooled LED Light Source

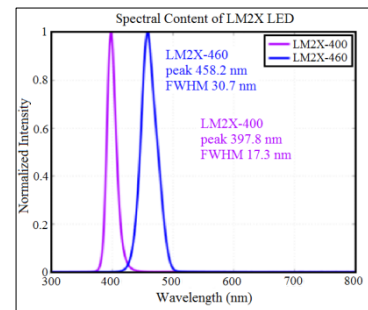
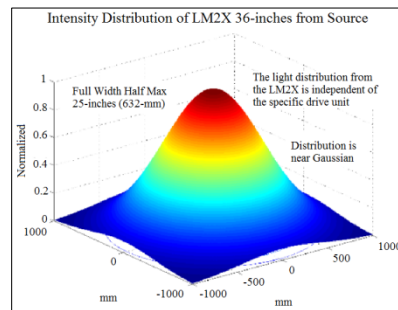
(Product ID: LM2XX-XXX, DC2XX)

The continuous 2-inch, water-cooled LED light source provides uniform, stable illumination, for pressure and temperature sensitive paint measurements. The unit operates continuously or in long-pulse mode, designed for radiometric systems by connecting to the DC2XX driver box (module for radiometric). The operation mode is set sending an external TTL trigger pulse to the DC2XX to set the output pulse width and frequency. The duty cycle may be set from 0% to 100%. The light distribution from the unit is approximately Gaussian for distance greater than 18-inches [45-cm] from the source. The units are available in 400-nm and 460-nm packages, however, other wavelengths are available upon request. This unit surpasses the performance of the 2-inch, air-cooled system as it offers a significant increase in power (3-4 times that of the 2-inch, air-cooled system). Maximum input pressure to the control box is 90 psi. An external water source is required to cool the LED module. The control box contains a flow meter and safety circuit to shut off power to the LED if the flow rate is too low or the LED approaches overheat temperatures.



Components: LED head, umbilical, and control box.

Ordering information: LM2XX-XXX (LED head with umbilical. -XXX denotes wavelength). DC2XX (DC/long-pulse control box and driver with power supply).



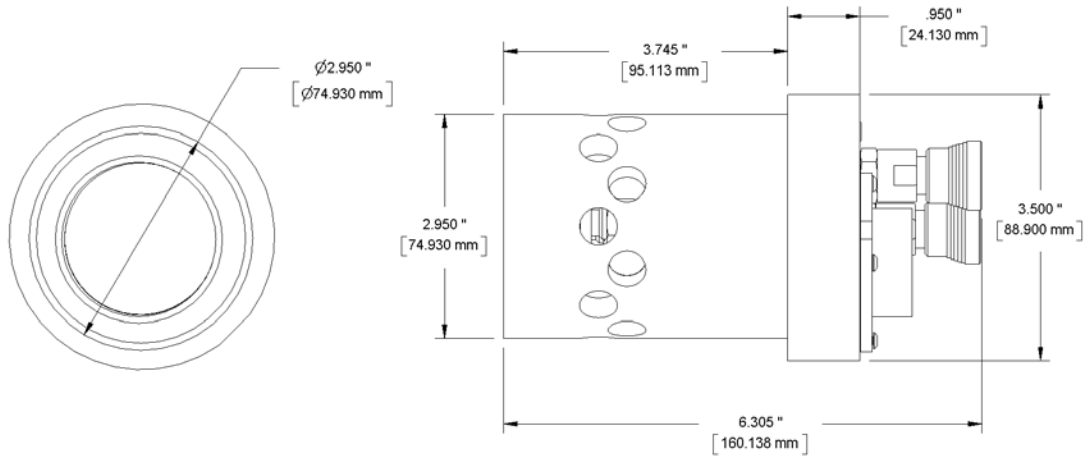
SPECIFICATIONS

Optical Power	12-14 W
Input	110-240 VAC, 50-60 Hz
Stability	~0.1 % per hour after warmup
Wavelength	400-nm, 460-nm
Rise time (10% - 90%)	< 600-ns
Fall time (90% - 10%)	< 300-ns
Maximum Duty Cycle	100%
Operating Temperature	-10°C to 60°C
FWHM	+/- 18-nm
Umbilical Cable	10-ft (3.3m) / 20-ft (6.6m)
Warranty	1 Year
ECCN	EAR99

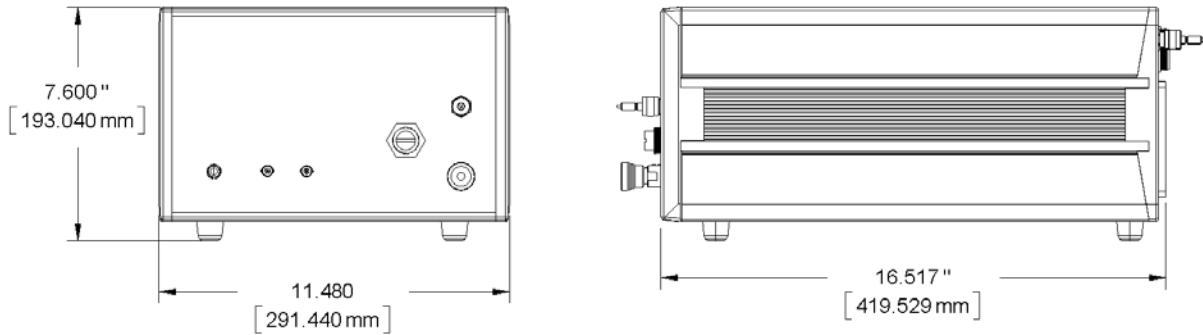
Innovative Scientific Solutions, Inc.
7610 McEwen Road, Dayton, OH 45459
Phone (937) 630-3012 Fax (937) 630-3015

email: issi-sales@innssi.com
web: www.psp-tsp.com

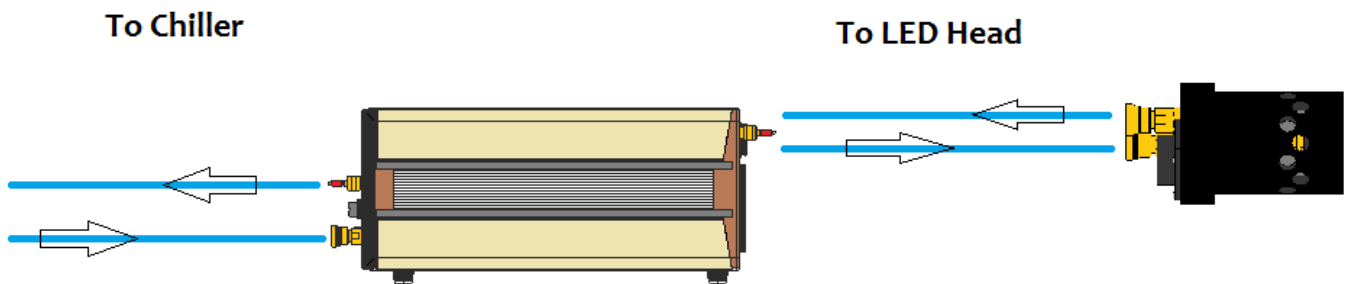
Any and all underlying information and technology contained in this document may be subject to U.S. export controls, including the Export Administration Act (50 U.S.C. Appx. §§ 2401 et seq.) and the Export Administration Regulations ("EAR", 50 C.F.R. Parts 730-774), and may be subject to export or import regulations in other countries. You are responsible for complying with all trade regulations and laws both foreign and domestic. Except as authorized by law or distributor agreement with ISSI, you agree and warrant not to export or re-export the information to any country, or to any person, entity, or end-user subject to U.S. export controls, including without limitation persons or entities listed on the U.S. Department of Commerce Bureau of Export Administration's Denied Parties List and the U.S. Department of Treasury's Specially Designated Nationals. You further represent and warrant that no U.S. federal agency has suspended, revoked, or denied your export privileges.



LED Head (LM2XX-XXX)



Continuous LED Control Box and Power Supply (DC2XX)



Water Connection Schematic