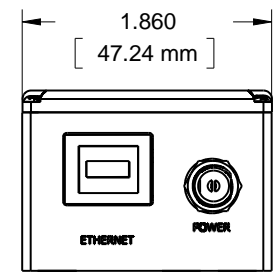
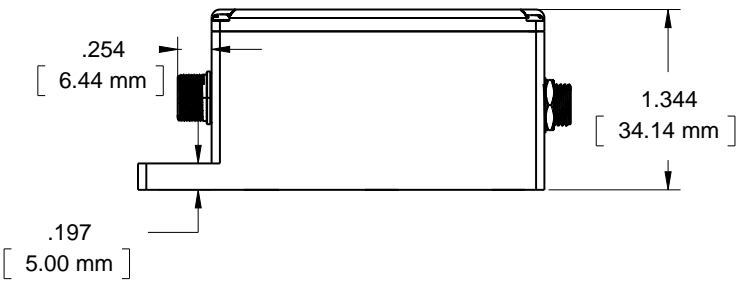
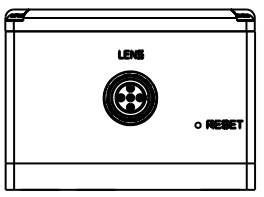
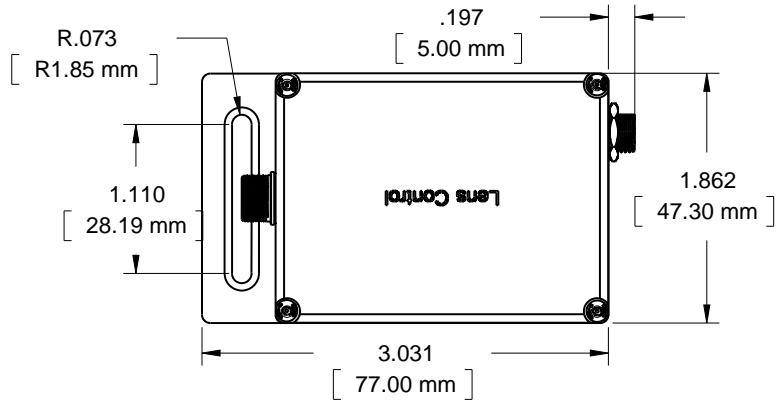




REVISIONS

ZONE	REV	DESCRIPTION	DATE	APPROVED
------	-----	-------------	------	----------



UNLESS OTHERWISE SPECIFIED  
DIMENSIONS ARE IN INCHES  
TOLERANCES:  
ANGLES ± 1.0°  
DECIMALS  
x.x 0.1"  
x.xx 0.01"  
x.xxx 0.005"

DRAWN BSarka	DATE 9/13/16
CHECKED	
QA	
MFG	
APPROVED	

<b>Control Box w/o plugs</b>			
Innovative Scientific Solutions, Inc. 7610 McEwen Dayton, OH 45459 Ph 937 630 3012			
SIZE <b>A</b>	FSCM NO.	DWG NO.	REV
SCALE	SHEET		

