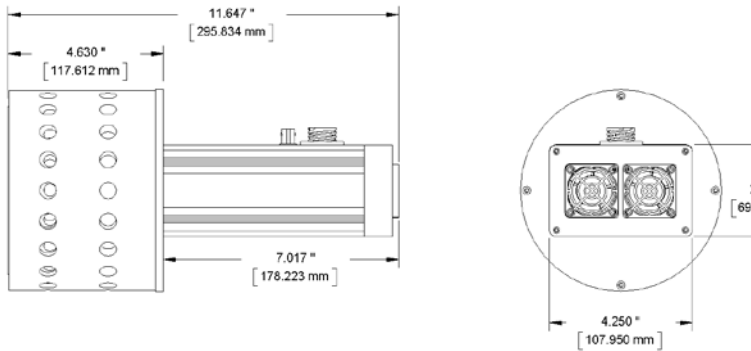


LM4X-DMHP LED Light Source

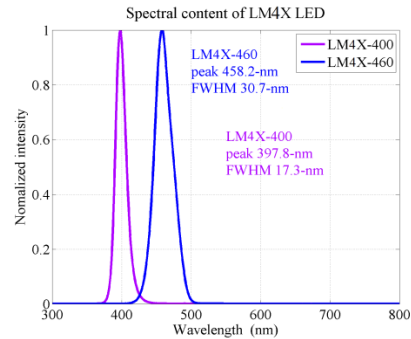
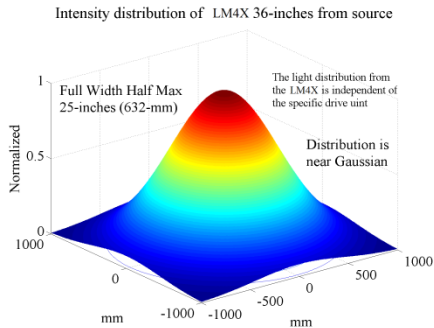
(Product ID: LM4X-DMHP-400, LM4X-DMHP-460)

The LM4X-DMHP is a 4-inch, air-cooled LED light source. The LM4X series of light sources offer uniform, stable with excellent output power. The LM4X-DMHP has been designed for lifetime based PSP and TSP systems. The LED's are driven beyond spec to increase the light output, however, the duty cycle is restricted to 5%. The operation of the LM4X-DMHP is controlled by setting the voltage to an external BNC on the lamp housing and the rise and fall time is less than 500-ns. These units supercede the LM2X-DMHP LED systems as they offer a 3X increase in power, 5X faster rise and fall times for pulsed operation, and increased temperature range of operation.



SPECIFICATIONS

Output Power (5% duty cycle)	3.0 W
Stability.....	0.2% per hour
Maximum Duty Cycle	5%
Rise and Fall time	< 500-ns
Temperature range.....	-10°C to 60°C
Wavelength.....	400-nm and 460-nm
FWHM.....	+/-18-nm
ECCN	EAR99



Innovative Scientific Solutions, Inc.
 7610 McEwen Road, Dayton, OH 45459
 Phone (937) 630-3012 Fax (937) 630-3015

email: spalluconi@innsi.com
 web: www.psp-tsp.com

Any and all underlying information and technology contained in this document may be subject to U.S. export controls, including the Export Administration Act (50 U.S.C. Appx. §§ 2401 et seq.) and the Export Administration Regulations ("EAR", 50 C.F.R. Parts 730-774), and may be subject to export or import regulations in other countries. You are responsible for complying with all trade regulations and laws both foreign and domestic. Except as authorized by law or distributor agreement with ISSI, you agree and warrant not to export or re-export the information to any country, or to any person, entity, or end-user subject to U.S. export controls, including without limitation persons or entities listed on the U.S. Department of Commerce Bureau of Export Administration's Denied Parties List and the U.S. Department of Treasury's Specially Designated Nationals. You further represent and warrant that no U.S. federal agency has suspended, revoked, or denied your export privileges.